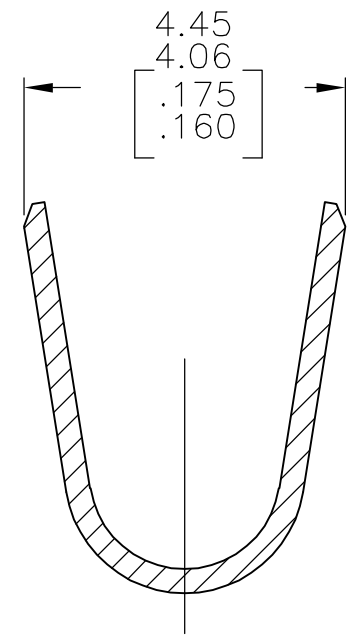
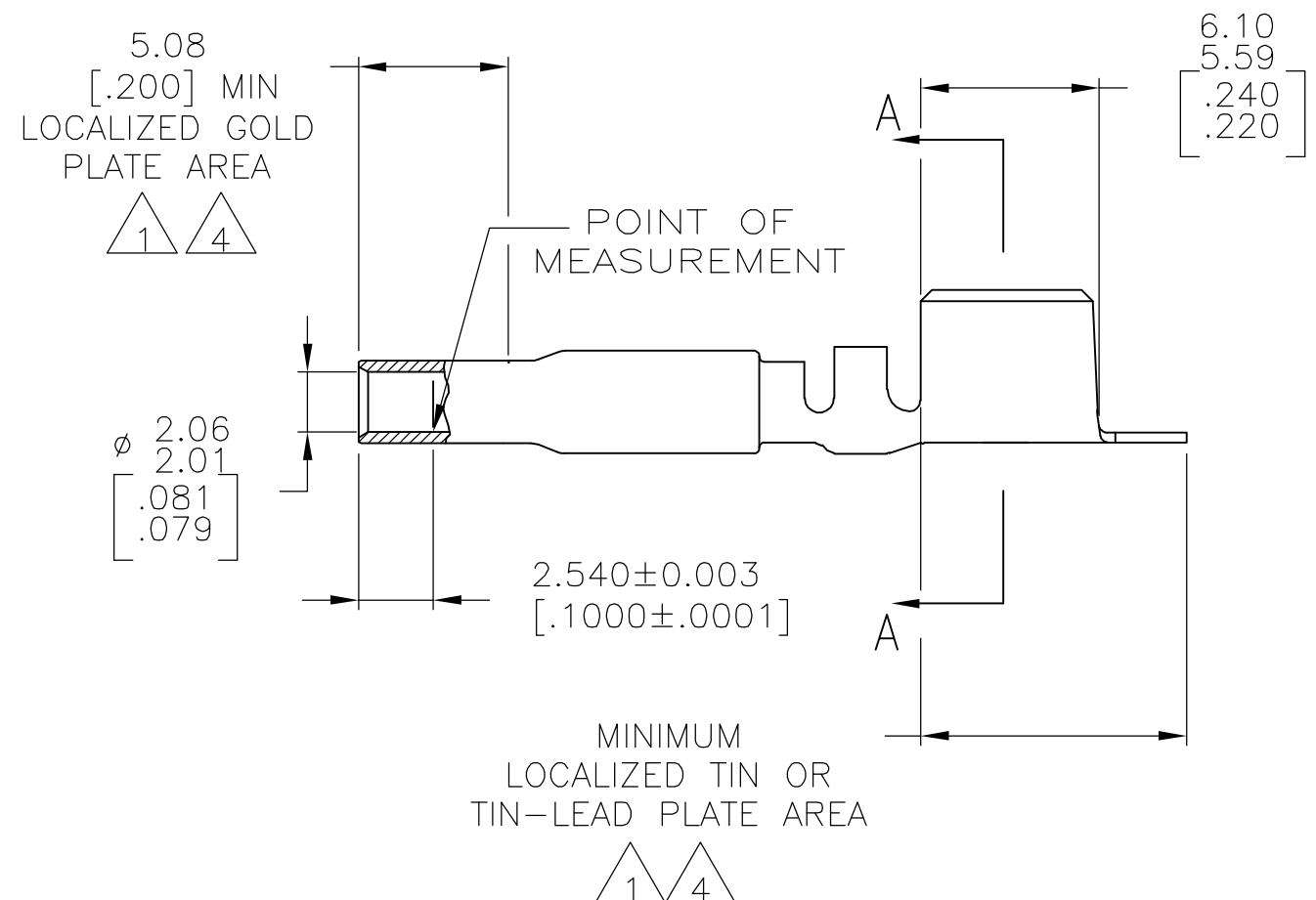
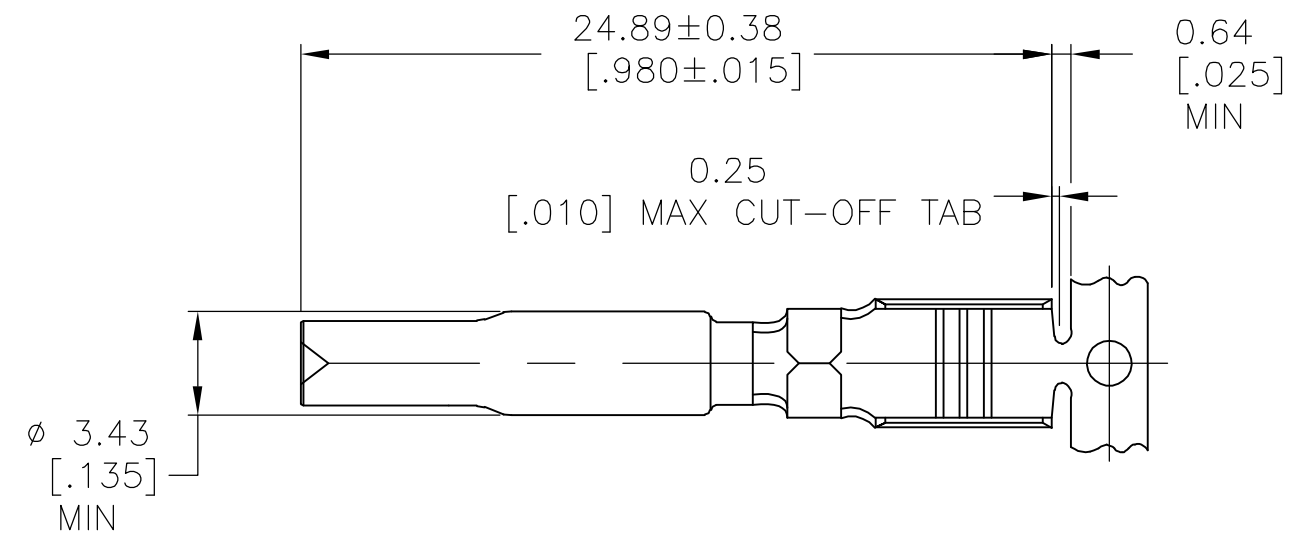


THIS DRAWING IS UNPUBLISHED. RELEASED FOR PUBLICATION
 © COPYRIGHT BY TYCO ELECTRONICS CORPORATION. ALL RIGHTS RESERVED.

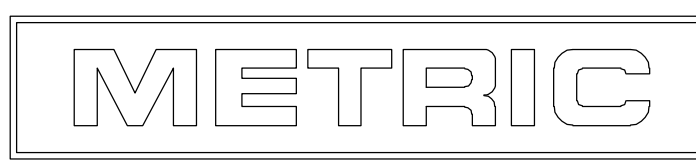
| LOC | DIST | REVISIONS | | | |
|-----|------|-------------|-----------------|---------|---------|
| P | LTR | DESCRIPTION | DATE | DWN | APVD |
| CM | 00 | G | EC 0G3B 0215 05 | 20SEP05 | BSV RCJ |



1. 0.00076[.000030] MIN GOLD AT POINT OF MEASUREMENT IN THE LOCALIZED GOLD PLATE AREA, 0.00127[.000050] MIN TIN-LEAD IN TIN-LEAD PLATE AREA, 0.00127[.000050] MIN NICKEL UNDERPLATE ON ENTIRE CONTACT.
2. WIRE RANGE: 3-6mm² [12-10 AWG].
3. DIMENSIONS IN BRACKETS ARE IN INCHES.
4. 0.00076[.000030] MIN GOLD AT POINT OF MEASUREMENT IN THE LOCALIZED GOLD PLATE AREA, 0.00127[.000050] MIN TIN IN TIN PLATE AREA, 0.00127[.000050] MIN NICKEL UNDERPLATE ON ENTIRE CONTACT.
5. THIS CONTACT HAS NO INSULATION BARREL.

| FINISH | MATERIAL | PART NUMBER |
|---------------|--------------------|-------------|
| GOLD Δ | 0.30 [.012] PH BRZ | 1-770004-0 |
| GOLD Δ | 0.30 [.012] PH BRZ | 770004-4 |
| PRE-TIN | 0.30 [.012] PH BRZ | 770004-3 |

| | | | | |
|---|--|-------------------------------|---|------------------------|
| THIS DRAWING IS A CONTROLLED DOCUMENT. | | DWN K. WHITAKER 02APR04 | Tyco Electronics Corporation Harrisburg, PA 17105-3608 | |
| DIMENSIONS: mm [INCHES] | | CHK C. JONES 02APR04 | | |
| TOLERANCES UNLESS OTHERWISE SPECIFIED: | | APVD C. JONES 02APR04 | NAME - | |
| 0 PLC ± - 1 PLC ± - 2 PLC ± - 3 PLC ± - 4 PLC ± - ANGLES ± - FINISH - | | PRODUCT SPEC - | SOCKET, UNIVERSAL MATE-N-LOK(TM) II | |
| MATERIAL - | | APPLICATION SPEC - | WEIGHT - | RESTRICTED TO - |
| CUSTOMER DRAWING | | SIZE A2 | CAGE CODE 00779 | DRAWING NO C=770004 |
| | | SCALE 4:1 | SHEET 1 of 1 | REV G |



770004